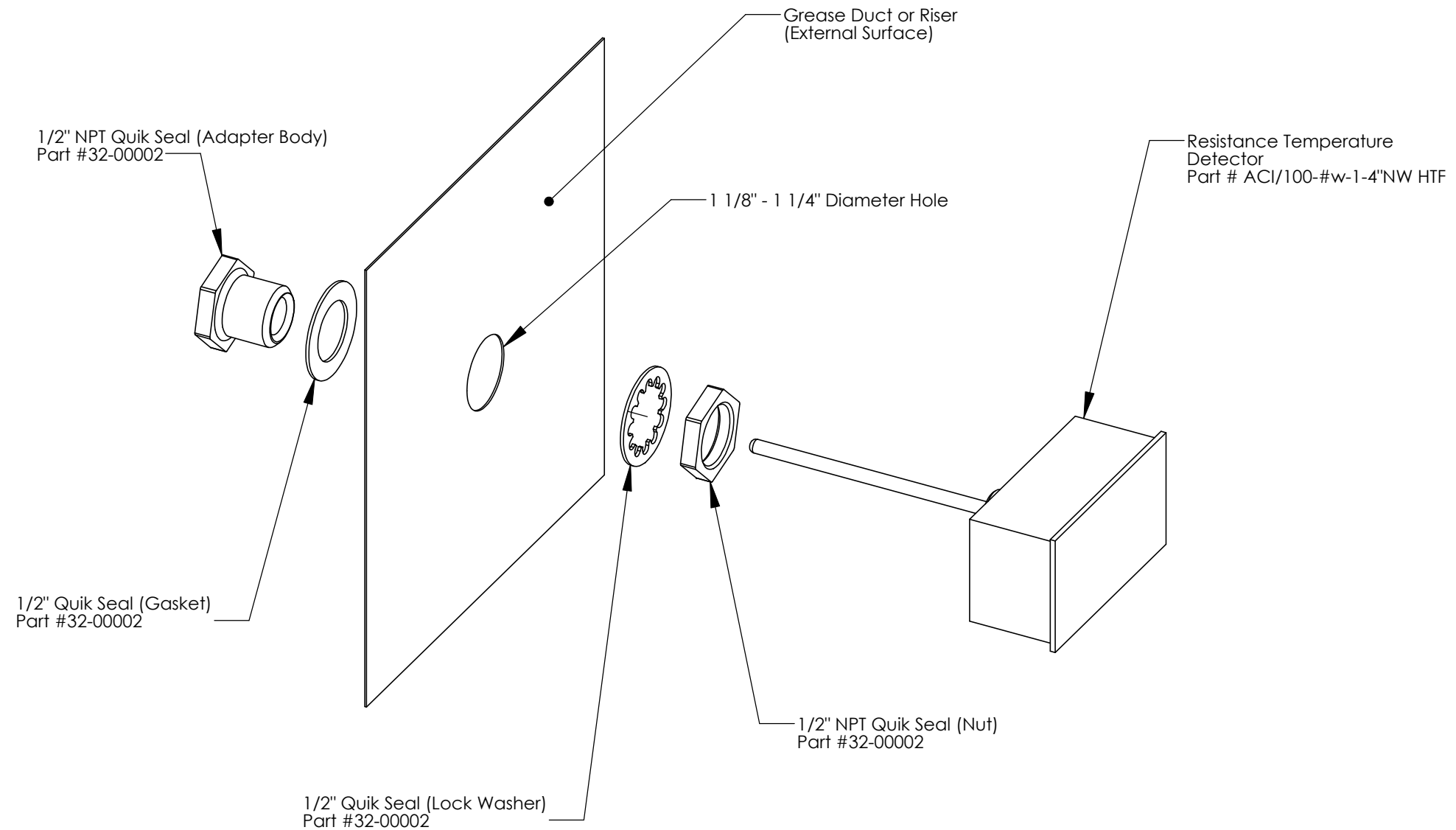


MODULATING EMS SENSOR INSTALLATION

Revision History				
#	Description	Revised by	ECN#	Date
0	Released to Website	0	1226	8/2/07
1	Detail Installation	EG	1396	6/16/08

NOTES: One RTD per Exhaust Fan
 : RTD has 3 wires that connect to control cabinet



Notes:

Material: N/A
 Blank Size: N/A x N/A
 Weight: N/A lbs

Part Number: N/A
 MACOLA Number: N/A
 Drawing Name: Sensor Install
 Drawn By: EG
 Parent Assembly: Modulating EMS Sensor
 Sheet: 1 of 6

Unless Otherwise Specified
 Dimensions are in Inches.
 Standard Tolerances are:
 Fractions: ±1/16
 Decimal: .XX±.05
 .XXX±.015
 Angles: ±1°

CONFIDENTIAL