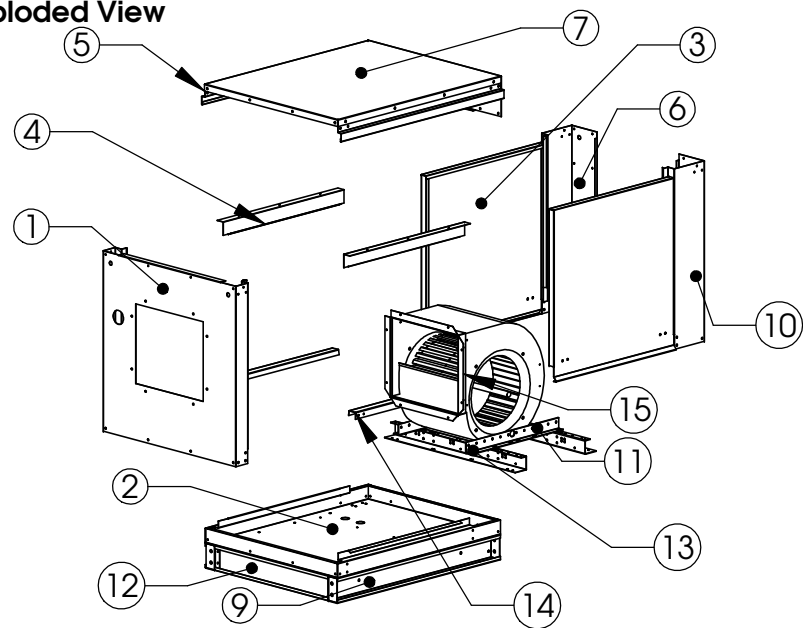
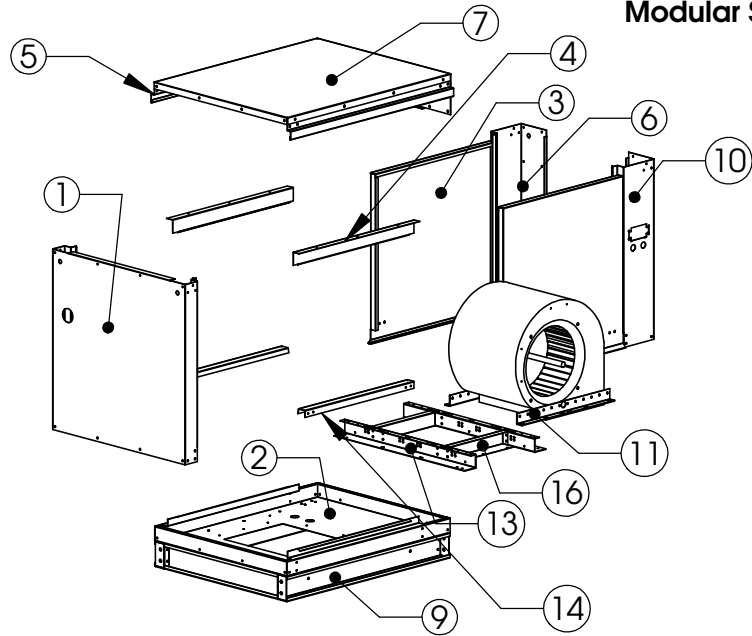


AHU  
EXPLODED  
VIEWS FOR  
SUPPLY  
9/13/2011

### Modular Supply Exploded View



Blower Size and Orientation														
#	Part Name	Quantity	G10 Down	G10 Side	G12 Down	G12 Side	G15 Down	G15 Side	G18 Down	G18 Side	920 Down	920 Side	925 Down	925 Side
1	Back	1	B1DDBKVP	B10SDBKVP	B2DDBKVP	B22SDBK	B2DDBKVP	B25SDBKVP	B3DDBKVP	B3SDBKVP	B4DDBKVP	B4SDBKVP	B5DDBKVP	B5SDBKVP
2	Bottom	1	B1DDBT	B1SDBT	B22DDB	B2SDBT	B25DDB	B2SDBT	B3DDBT	B3SDBT	B4DDBT	B4SDBT	B5DDBT	B5SDBT
3	Door	2	B1DOOR			B2DOOR			B3DOOR			B4DOOR		B5DOOR
4	Door Support	2	B1DRSP			B2DRSP			B3DRSP			B4DRSP		B5DRSP
5	Drip Rail	2	B1DPRL			B2DPRL			B3DPRL			B4DPRL		B5DPRL
6	Left Front Post	1	B1LTFF			B2LTFF			B3LTFF			B4LTFF		B5LTFF
7	Lid	1	B1LIDD			B2LIDD			B3LIDD			B4LIDD		B5LIDD
8	Lid Support (not shown)	1	N/A			N/A			N/A			M4LSUP		M5LSUP
9	Main Rail	2	B1MNRL			B2MNRL			B3MNRL			B4MNRL		B5MNRL
10	Right Front Post	1	B1RTFF			B2RTFF			B3RTFF			B4RTFF		B5RTFF
11	Blower Brace	2	B1BLBC			B2BLBC			B3BLBC			N/A		
12	End Flashing	2	M1EFLS			M2EFLS			M3EFLS			M4EFLS		M5EFLS
13	Horizontal Support	2	M1HSUP			M2HSUP			M3HSUP			M4HSUP		M5HSUP
14	Door Hook	2	B1DRHK			B2DRHK			B3DRHK			B4DRHK		B5DRHK1
15	Blower Collar	1	N/A	B1G10COL	N/A	B2G12COL	N/A	B2G15COL	N/A	B3G18COL	N/A	B4920COL	N/A	B5925COL
16	Blower Discharge Cap	2	B1G10DCP	N/A	B2G12DCP	N/A	B2G15DCP	N/A	B3G18DCP	N/A	B4920DCP	N/A	B5925DCP	N/A
Motor Mounting Hardware	Motor Platform	1	G10BRACKET		G12BRACKET		G15BRACKET		G18BRACKET		8721		8723	
	Scroll Plate Angle	2	SCROLL PLATE										N/A	
	Direct Drive Bracket	2	B1DDMM		N/A									

**NOTES:**

- 1) 925 models have 2 extra doors (part # B5BDOR)
- 2) 925 models have 2 extra door hooks (part # B5DRHK2 that attach to B5BDOR)
- 3) 925 models have a 3 piece bottom. 2 of part number B5SID attaches to the sides of the 925 bottom.
- 4) G18, 920, 925 Side Discharge Models Require 3 horizontal supports (M3HSUP, M4HSUP, M5HSUP)
- 5) All model use 4 of MLIFTL lifting lugs.

- 6) Right Front Post has multiple configurations for various disconnect switches.  
(RD) for rotary disconnect  
(NS) for no switch
- 7) Disconnect switch is dependent on motor load.
- 8) L1VIB vibration isolator used on G Series blowers.
- 9) 800113 isolators used on 900 series blowers.