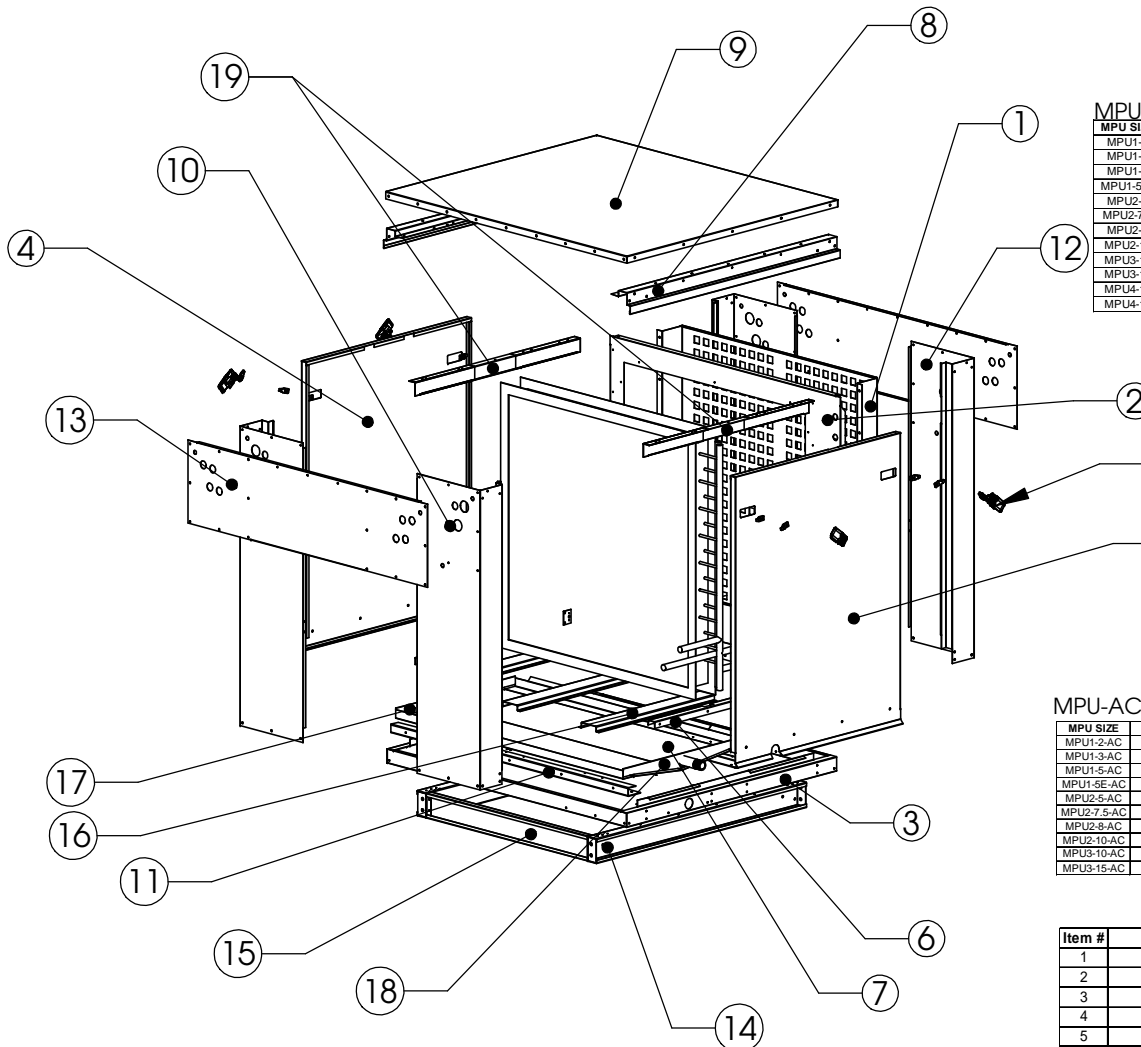


# MOD PACKAGE UNIT



Revision History				
#	Description	Revised by	ECN #	Date
1	CC Update	WBG	2086	7/7/10
2	MPU3-15	WBG	2143	10/5/10
3	MPU4	AJK	2176	11/15/10
4	Added MPU-AC	AJK	2340	9/6/11

## MPU COMPONENT INFO

MPU SIZE	Coil Part Number	Grommet 1	Grommet 2	TXV1	TXV2	TXV3	Filter/Dryer
MPU1-2	2EZ0801M 30.0x27.0	63595K31	63595K34	ERZE-2-GA-3/8x1/2x1/4	N/A	N/A	083S
MPU1-3	2EZ1001N 30.0x27.0	63595K31	63595K34	ERZE-2-GA-3/8x1/2x1/4	N/A	N/A	083S
MPU1-5	2EZ0902M 30.0x27.0	63595K31 (2)	63595K34 (2)	ERZE-2-GA-3/8x1/2x1/4	ERZE-3-GA-3/8x1/2x1/4	N/A	083S (2)
MPU1-5E*	2EZ0902M 30.0x27.0	63595K31 (2)	63595K34 (2)	ERZE-2-GA-3/8x1/2x1/4	ERZE-3-GA-3/8x1/2x1/4	N/A	083S (2)
MPU2-5	3EZ1001R 36.0x36.0	63595K31	63595K34	ERZE-5-GA-3/8x1/2x1/4	N/A	N/A	083S
MPU2-7.5	3EZ1101C 36.0x36.0	63595K31 (2)	63595K34 (2)	ERZE-3-GA-3/8x1/2x1/4	ERZE-5-GA-3/8x1/2x1/4	N/A	083S (2)
MPU2-8	3EZ1101D 36.0x36.0	63595K31 (2)	63595K34 (2)	ERZE-3-GA-3/8x1/2x1/4	ERZE-5-GA-3/8x1/2x1/4	N/A	083S (2)
MPU2-10	3EZ0802B 36.0x36.0	63595K31 (2)	63595K34 (2)	ERZE-5-GA-3/8x1/2x1/4	ERZE-5-GA-3/8x1/2x1/4	N/A	083S (2)
MPU3-10	3EZ0602M 43.0x42.0	63595K31 (2)	63595K34 (2)	ERZE-5-GA-3/8x1/2x1/4	ERZE-5-GA-3/8x1/2x1/4	N/A	083S (2)
MPU3-15	3EZ1002B 43.0x42.0	63595K31 (3)	63595K34 (3)	ERZE-5-GA-3/8x1/2x1/4	ERZE-5-GA-3/8x1/2x1/4	ERZE-5-GA-3/8x1/2x1/4	083S (3)
MPU4-10	4EZ0801C 52.5x48.0	63595K31 (2)	63595K34 (2)	ERZE-5-GA-3/8x1/2x1/4	ERZE-5-GA-3/8x1/2x1/4	N/A	083S (2)
MPU4-15	4EZ0602B 52.5x48.0	63595K31 (3)	63595K34 (3)	ERZE-5-GA-3/8x1/2x1/4	ERZE-5-GA-3/8x1/2x1/4	ERZE-5-GA-3/8x1/2x1/4	083S (3)

LATCH 4 PLACES  
8 PLACES ON SIZE 3

## MPU-AC COMPONENT INFO

MPU SIZE	MPU-AC Coil Part Number	Grommet 1	Grommet 2	TXV1	TXV2	TXV3	Filter/Dryer
MPU1-2-AC	2EY1102E - 12.00 x 27.00	63595K31	63595K34	ERZE-2-GA-3/8x1/2x1/4	N/A	N/A	083S
MPU1-3-AC	2EY1402E - 12.00 x 27.00	63595K31	63595K34	ERZE-3-GA-3/8x1/2x1/4	N/A	N/A	083S
MPU1-5-AC	2EY1403E - 12.00 x 27.00	63595K31 (2)	63595K34 (2)	ERZE-2-GA-3/8x1/2x1/4	ERZE-3-GA-3/8x1/2x1/4	N/A	083S (2)
MPU1-5E-AC	2EY1403E - 12.00 x 27.00	63595K31 (2)	63595K34 (2)	ERZE-3-GA-3/8x1/2x1/4	ERZE-3-GA-3/8x1/2x1/4	N/A	083S (2)
MPU2-5-AC	3EY1102T - 20.00 x 36.00	63595K31	63595K34	ERZE-5-GA-3/8x1/2x1/4	N/A	N/A	083S
MPU2-7.5-AC	3EY1402T - 20.00 x 36.00	63595K31 (2)	63595K34 (2)	ERZE-3-GA-3/8x1/2x1/4	ERZE-5-GA-3/8x1/2x1/4	N/A	083S (2)
MPU2-8-AC	3EY1302T - 20.00 x 36.00	63595K31 (2)	63595K34 (2)	ERZE-3-GA-3/8x1/2x1/4	ERZE-5-GA-3/8x1/2x1/4	N/A	083S (2)
MPU2-10-AC	3EY1203T - 20.00 x 36.00	63595K31 (2)	63595K34 (2)	ERZE-5-GA-3/8x1/2x1/4	ERZE-5-GA-3/8x1/2x1/4	N/A	083S (2)
MPU3-10-AC	3EZ1203T - 24.00 x42.00	63595K31 (2)	63595K34 (2)	ERZE-5-GA-3/8x1/2x1/4	ERZE-5-GA-3/8x1/2x1/4	N/A	083S (2)
MPU3-15-AC	3EY1403T - 30.00 x42.00	63595K31 (3)	63595K34 (3)	ERZE-5-GA-3/8x1/2x1/4	ERZE-5-GA-3/8x1/2x1/4	ERZE-5-GA-3/8x1/2x1/4	083S (3)

Item #	DESCRIPTION	MPU1	MPU2	MPU3	MPU4
1	AIR DISTRIBUTION SCREEN	CC1AIDIS	CC2AIDIS	CC3AIDIS	CC4AIDIS
2	BLANK PLATE	CC1BLANKCV	CC2BLANKCV	CC3BLANKCV	CC4BLANKCV
3	BOTTOM	CC1BOTTOM	CC2BOTTOM	CC3BOTTOM	CC4BOTTOM
4	DOOR	CC1DOORCV	CC2DOORCV	CC3DOORCV	CC4DOORCV
5	DOOR WITH DRAIN	CC1DOORDCV	CC2DOORDCV	CC3DOORDCV	CC4DOORDCV
6	FULL LENGTH DOOR HOOK		MCC13HOOKFL(2)		MCC45HOOKFL(2)
7	DRAIN PAN	CC1DRPANCV	CC2DRPANCV	CC3DRPANCV	CC4DRPANCV
8	DRIP RAIL		MD13DR (2)		MD45DR(2)
9	LID	CC1LID	CC2LID	CC3LID	CC4LID
10	LEFT FRONT POST	CC1LTFRP(2)	CC2LTFRP(2)	CC3LTFRP(2)	CC4LTFRP(2)
11	PAN SUPPORT	CC1PANSP (2)	CC2PANSP (2)	CC3PANSP (2)	CC4PANSP (2)
12	RIGHT FRONT POST	CC1RTFRP (2)	CC2RTFRP (2)	CC3RTFRP (2)	CC4RTFRP (2)
13	TOP EXTENSION	CC1TPXT (2)	CC2TPXT (2)	CC3TPXT (2)	CC4TPXT (2)
14	MAIN RAIL		MD12MR	D3MNRL (2)	MD45MR (2)
15	END FLASHING	M1EFLS (2)	M2EFLS (2)	M3EFLS (2)	M4EFLS (2)
16	COIL SUPPORT			MCC15COS (3)	
17	PAN CAP 1			MCC15PN1	
18	PAN CAP 2			MCC15PN2	
19	FULL LENGTH DOOR SUPPORT		MCC13DSUPFL(2)		MCC45DSUPFL(2)

One part is used unless otherwise noted.

NOTES:  
ENTIRE CABINET GETS INSULATED  
\*MPU1-5 Coil has a 3/4 and 7/8 inch suction connection.  
\*MPU1-5E Coil has 3/4 inch suction connections on every line.