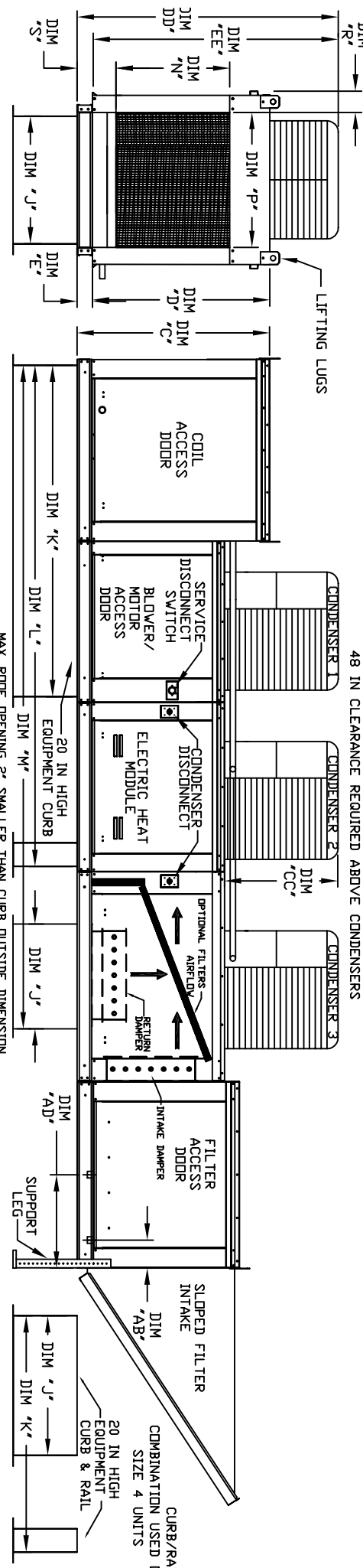
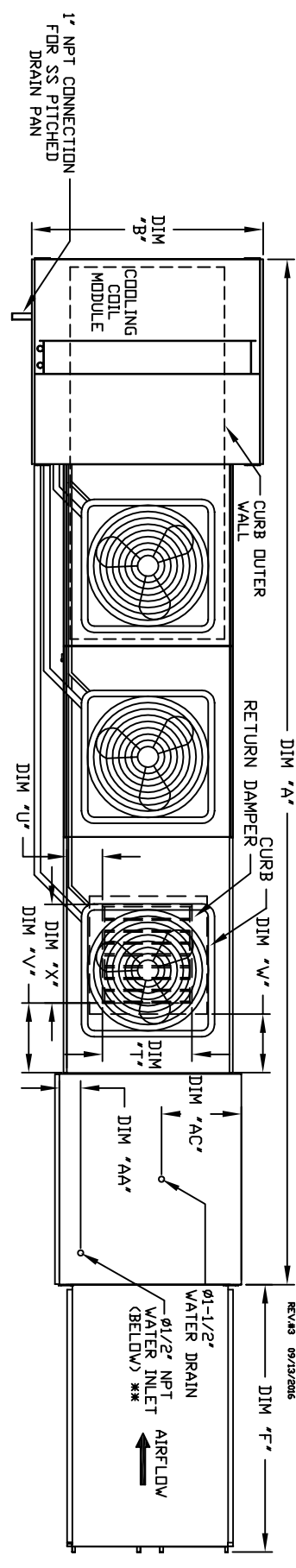


MODULAR OUTDOOR SIDE DISCHARGE ELECTRIC HEATER PACKAGED UNIT WITH COOLING, MIXING BOX, LPD EVAPORATIVE COOLER INTAKE AND INTAKE HOOD



ALL DIMENSIONS ARE NOMINAL AND GIVEN IN INCHES.

MODEL	UNIT DIMENSIONS										CURB/RAIL										DISCHARGE OPENING										RETURN DAMPER OPENING										WATER INLET										DRAIN OPENING										INTAKE FILTER SIZE & QTY										MAX FILTER VELOCITY																																																																																																																																																																																																																																																																																																																																																																																																																																																																																																																																																																																																																				
	A	B	C	D	E	F	J	K	L	M	N	P	R	S	T	U	V	W	X	AA	AB	AC	AD	AE	AF	AG	AH	AI	AJ	AK	AL	AM	AN	AO	AP	AQ	AR	AS	AT	AU	AV	AW	AX	AY	AZ	BA	BB	BC	BD	BE	BF	BG	BH	BI	BJ	BK	BL	BM	BN	BO	BP	BQ	BR	BS	BT	BU	BV	BW	BX	BY	BZ	CA	CB	CC	CD	CE	CF	CG	CH	CI	CJ	CK	CL	CM	CN	CO	CP	CQ	CR	CS	CT	CU	CV	CW	CX	CY	CZ	DA	DB	DC	DD	DE	DF	DG	DH	DI	DJ	DK	DL	DM	DN	DO	DP	DQ	DR	DS	DT	DU	DV	DW	DX	DY	DZ	EA	EB	EC	ED	EE	EF	EG	EH	EI	EJ	EK	EL	EM	EN	EO	EP	EQ	ER	ES	ET	EU	EV	EW	EX	EY	EZ	FA	FB	FC	FD	FE	FF	FG	FH	FI	FJ	FK	FL	FM	FN	FO	FP	FQ	FR	FS	FT	FU	FV	FW	FX	FY	FZ	GA	GB	GC	GD	GE	GF	GG	GH	GI	GJ	GK	GL	GM	GN	GO	GP	GQ	GR	GS	GT	GU	GV	GW	GX	GY	GZ	HA	HB	HC	HD	HE	HF	HG	HH	HI	HJ	HK	HL	HM	HN	HO	HP	HQ	HR	HS	HT	HU	HV	HW	HX	HY	HZ	IA	IB	IC	ID	IE	IF	IG	IH	II	IJ	IK	IL	IM	IN	IO	IP	IQ	IR	IS	IT	IU	IV	IW	IX	IY	IZ	JA	JB	JC	JD	JE	JF	JG	JH	JI	IJ	JK	KL	KM	KN	KO	KP	KQ	KR	KS	KT	KU	KV	KW	KX	KY	KZ	LA	LB	LC	LD	LE	LF	LG	LH	LI	LJ	LK	LL	LM	LN	LO	LP	LQ	LR	LS	LT	LU	LV	LW	LX	LY	LZ	MA	MB	MC	MD	ME	MF	MG	MH	MI	MJ	MK	ML	MM	MN	MO	MP	MQ	MR	MS	MT	MU	MV	MW	MX	MY	MZ	NA	NB	NC	ND	NE	NF	NG	NH	NI	NJ	NK	NL	NM	NN	NO	NP	NQ	NR	NS	NT	NU	NV	NW	NX	NY	NZ	OA	OB	OC	OD	OE	OF	OG	OH	OI	OJ	OK	OL	OM	ON	OO	OP	OQ	OR	OS	OT	OU	OV	OW	OX	OY	OZ	PA	PB	PC	PD	PE	PF	PG	PH	PI	PJ	PK	PL	PM	PN	PO	PP	PQ	PR	PS	PT	PU	PV	PW	PX	PY	PZ	QA	QB	QC	QD	QE	QF	QG	QH	QI	QJ	QK	QL	QM	QN	QO	QP	QQ	QR	QS	QT	QU	QV	QW	QX	QY	QZ	RA	RB	RC	RD	RE	RF	RG	RH	RI	RJ	RK	RL	RM	RN	RO	RP	RQ	RR	RS	RT	RU	RV	RW	RX	RY	RZ	SA	SB	SC	SD	SE	SF	SG	SH	SI	SJ	SK	SL	SM	SN	SO	SP	SQ	SR	SS	ST	SU	SV	SW	SX	SY	SZ	TA	TB	TC	TD	TE	TF	TG	TH	TI	TJ	TK	TL	TM	TN	TO	TP	TQ	TR	TS	TT	TU	TV	TW	TX	TY	TZ	UA	UB	UC	UD	UE	UF	UG	UH	UI	UJ	UK	UL	UM	UN	UO	UP	UQ	UR	US	UT	UU	UV	UW	UX	UY	UZ	VA	VB	VC	VD	VE	VF	VG	VH	VI	VJ	VK	VL	VM	VN	VO	VP	VQ	VR	VS	VT	VU	VV	VW	VX	VY	VZ	WA	WB	WC	WD	WE	WF	WG	WH	WI	WJ	WK	WL	WM	WN	WO	WP	WQ	WR	WS	WT	WU	WV	WW	WX	WY	WZ	XA	XB	XC	XD	XE	XF	XG	XH	XI	XJ	XK	XL	XM	XN	XO	XP	XQ	XR	XS	XT	XU	XV	XW	XX	XY	XZ	YA	YB	YC	YD	YE	YF	YG	YH	YI	YJ	YK	YL	YM	YN	YO	YP	YQ	YR	YS	YT	YU	YV	YW	YX	YZ	ZA	ZB	ZC	ZD	ZE	ZF	ZG	ZH	ZI	ZJ	ZK	ZL	ZM	ZN	ZO	ZP	ZQ	ZR	ZS	ZT	ZU	ZV	ZW	ZX	ZY
E3	207-1/4	54-3/8	56-3/8	51-1/8	5-1/4	76-3/8	35	84	126-1/4	165-11/16	29-5/8	30	11-1/2	7-3/8	28	8	7	4-1/2	30	4-1/2	5-3/4	23-1/2	17-1/2	16-3/8	20-3/8	13000	CFM = 565 FPM																																																																																																																																																																																																																																																																																																																																																																																																																																																																																																																																																																																																																																																																
E4	262-1/2	60-7/16	64-3/8	59-1/8	5-1/4	71-3/8	42	115-3/16	169-1/2	217-7/16	36-3/4	34	12-1/2	7-3/8	33	10	11	8	36	4-1/2	5-3/4	28-7/8	17-1/2	20-3/8	13000	CFM = 565 FPM																																																																																																																																																																																																																																																																																																																																																																																																																																																																																																																																																																																																																																																																	

MODEL	TONNAGE RANGE			CELDKX EVAPORATIVE COOLING UNIT			OPTIONAL MIXING BOX FILTERS		
	MIN	MAX	TOT. WEIGHT	MEDIA SIZE & QTY	VEL. @ MAX. CFM	MAX. FLOW RATE	MODEL	FILTER SIZE & QTY	GIB
E3	15 Ton	15 Ton	180 LBS	38"x43"x12"	705 FPM	35	10.15 GPH	G18	15"x20"x2" (4), 15"x15"x2" (2)
E4	15 Ton	15 Ton	3290 LBS	45"x54"x12"	770 FPM	42	12.6 GPH	920	18"x25"x2" (4), 16"x20"x2" (2)

MADD CONDENSING UNIT WEIGHT TO WEIGHT IN TABLE ABOVE ** MAX EVAP WATER PRESSURE = 50 PSI @ 70 DEG F

MODEL	CONDENSER INFORMATION		
	WEIGHT #1	WEIGHT #2	WEIGHT #3
15 TON-3	591 LBS	5 TON	5 TON
15 TON-4	591 LBS	5 TON	5 TON

© 2014 YORK INTERNATIONAL