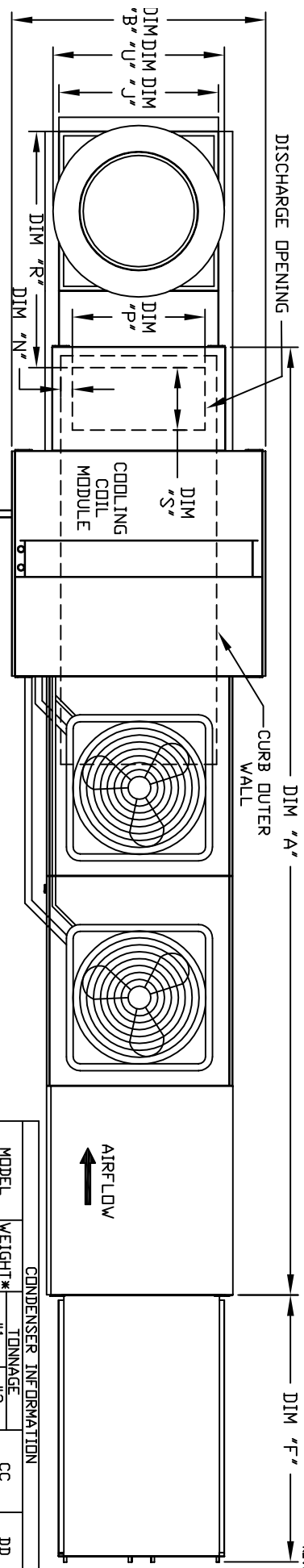


MODULAR OUTDOOR DOWN DISCHARGE ELECTRIC HEATER-ROOF TOP PACKAGE WITH COOLING, V-BANK AND INTAKE HOOD

11V-BE854ACC02PRT0-AP
REV. #7 06/15/2015



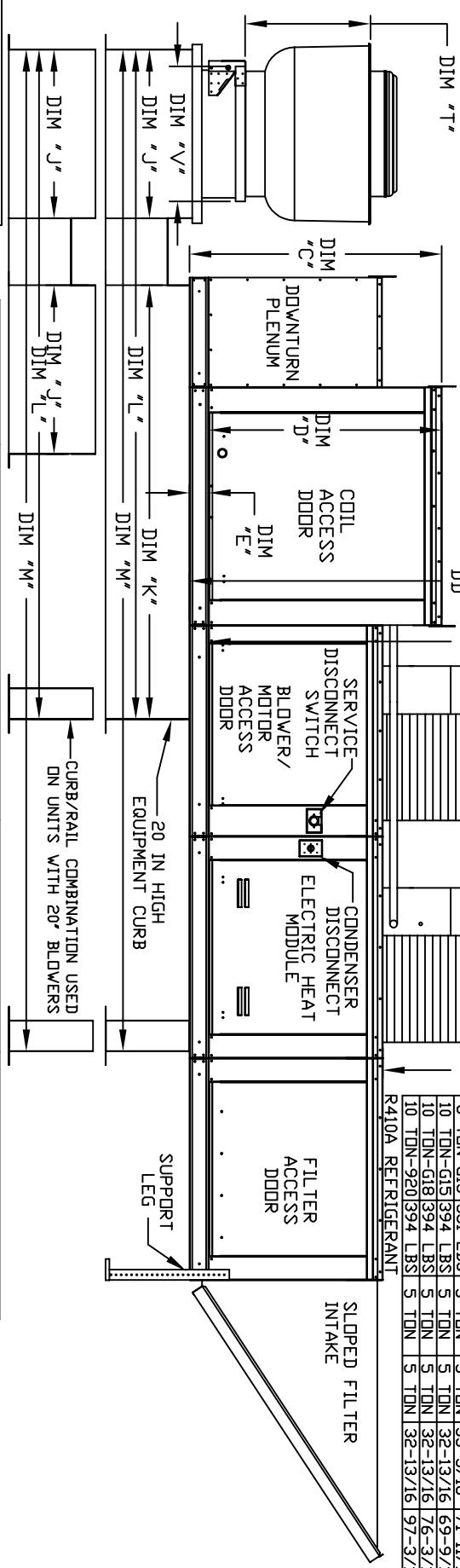
1" NPT CONNECTION FOR SS PITCHED DRAIN PAN

48 IN CLEARANCE REQUIRED ABOVE CONDENSERS

CONDENSER INFORMATION

MODEL	WEIGHT*	TONNAGE		CC	DD	EE
		#1	#2			
2 TON-G10	119 LBS	2 TON	N/A	26-5/16	56-1/16	52-3/8
3 TON-G10	134 LBS	3 TON	N/A	33-5/16	63-1/16	59-3/8
5 TON-G10	253 LBS	2 TON	3 TON	33-5/16	63-1/16	59-3/8
5 TON-G10	302 LBS	2.5 TON	2.5 TON	32-13/16	62-9/16	58-7/8
5 TON-G15	197 LBS	5 TON	N/A	32-13/16	69-9/16	65-7/8
7.5 TON-G15	348 LBS	2.5 TON	5 TON	32-13/16	69-9/16	65-7/8
8 TON-G15	331 LBS	3 TON	5 TON	33-5/16	71-11/16	68
10 TON-G15	394 LBS	5 TON	5 TON	32-13/16	69-9/16	65-7/8
10 TON-G18	394 LBS	5 TON	5 TON	32-13/16	76-3/16	70-7/8
10 TON-920	394 LBS	5 TON	5 TON	32-13/16	97-3/16	91-15/16

*9 INCH HIGH EXHAUST ADAPTER MAY BE REQUIRED



UNIT DIMENSIONS

MODEL #	T	U	V	W	X	Y	Z	AA	AB	AC	AD	AE	AF	AG	AH	AI	AJ	AK	AL	AM	AN	AO	AP	AQ	AR	AS
BU12	14-1/2	22	19																							
BU11																										
BU10	18-1/2	27-1/4	21																							
BU09																										
BU08	21-1/2	30-1/4	21																							
BU07																										
BU06	23	33-3/4	24-3/4																							
BU05																										
BU04	23-1/2	39-3/8	28																							
BU03	29-1/2	38-7/8	28																							
BU02	30-5/8	43-3/8	33																							
BU01	33-1/2	52-3/4	40																							

UNIT INFORMATION

MODEL	MIN.	MAX.	FILTER SIZE & QTY.	MAX. FILTER VELOCITY
EL-G10	2 Ton	5 Ton	20"x25"x2" (3)	3360 CFM = 418 FPM
EL-G15	5 Ton	10 Ton	16"x20"x2" (8)	6500 CFM = 464 FPM
E3-G18	10 Ton	20 Ton	20"x25"x2" (8)	8800 CFM = 348 FPM
E4-920	10 Ton	10 Ton	16"x20"x2" (15)	12300 CFM = 495 FPM

*ADD CONDENSING UNIT WEIGHT TO WEIGHT IN TABLE ABOVE

ALL DIMENSIONS ARE NOMINAL AND GIVEN IN INCHES.

MADE IN CHINA BY SHANGHAI CHINA ELECTRIC APPLIANCE MANUFACTURING CO., LTD.