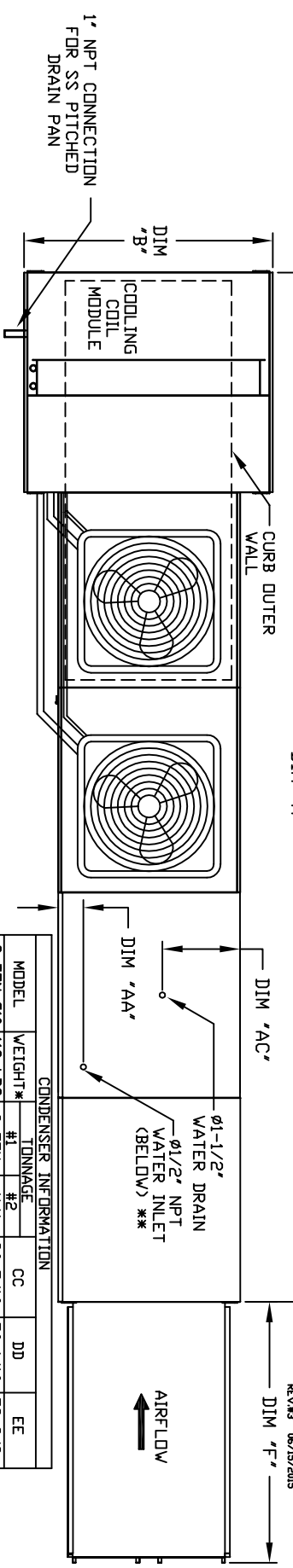


MODULAR OUTDOOR SIDE DISCHARGE ELECTRIC HEATER PACKAGED UNIT WITH COOLING, EVAPORATIVE COOLER INTAKE, V-BANK AND INTAKE HOOD

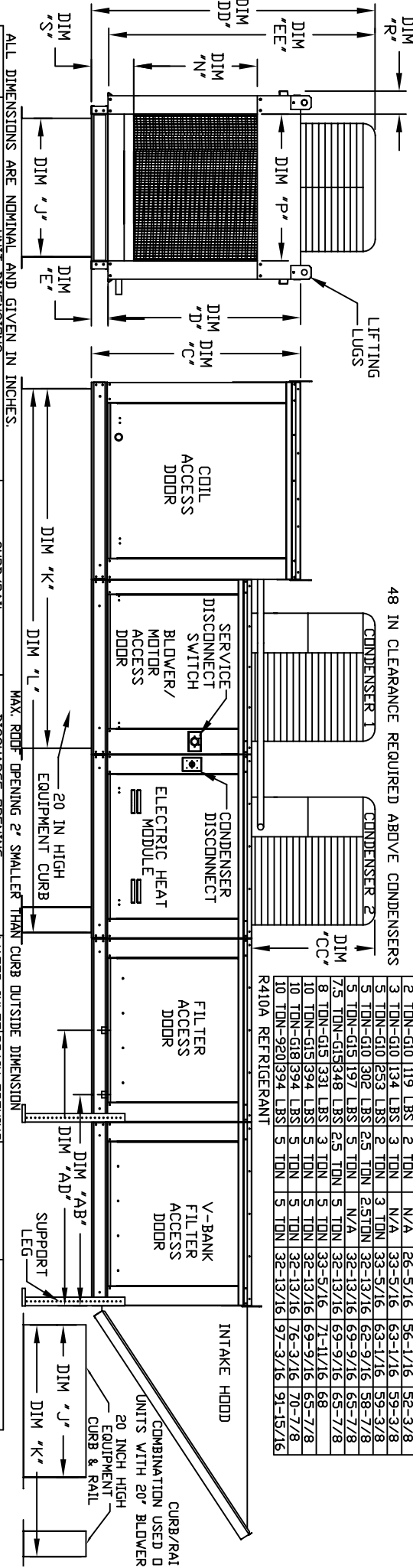


48 IN CLEARANCE REQUIRED ABOVE CONDENSERS

CONDENSER INFORMATION

MODEL	WEIGHT*	#1 TONNAGE	#2 TONNAGE	CC	DD	EE
2 TON-G10	119 LBS	2 TON	N/A	26-5/16	56-1/16	52-3/8
3 TON-G10	134 LBS	3 TON	N/A	33-5/16	63-1/16	59-3/8
5 TON-G10	253 LBS	2 TON	3 TON	33-5/16	63-1/16	59-3/8
5 TON-G10	302 LBS	2.5 TON	2.5 TON	32-13/16	62-9/16	58-7/8
5 TON-G15	197 LBS	5 TON	N/A	32-13/16	69-9/16	65-7/8
7.5 TON-G15	348 LBS	2.5 TON	5 TON	32-13/16	69-9/16	65-7/8
8 TON-G15	331 LBS	3 TON	5 TON	33-5/16	71-11/16	68
10 TON-G15	394 LBS	3 TON	5 TON	32-13/16	69-9/16	65-7/8
10 TON-G18	394 LBS	5 TON	5 TON	32-13/16	76-3/16	70-7/8
10 TON-920	394 LBS	5 TON	5 TON	32-13/16	97-3/16	91-15/16

R410A REFRIGERANT



ALL DIMENSIONS ARE NOMINAL AND GIVEN IN INCHES.

MAX. ROOF OPENING 2\"/>

UNIT INFORMATION

MODEL	TONNAGE RANGE		STANDARD EVAPORATIVE COOLING UNIT													CELDEX EVAPORATIVE COOLING UNIT												
	MIN	MAX	TOT. WEIGHT	MEDIA SIZE & QTY	VEL.	MAX. CFM	NOZZLES	MAX. FLOW RATE	TOT. WEIGHT	MEDIA SIZE & QTY	VEL.	MAX. CFM	NOZZLES	MAX. FLOW RATE														
E1-G10	2 Ton	5 Ton	1130 LBS	20"x25"x2" (3)	406 FPM	6	3 GPH	1135 LBS	20"x24"x12"	1050 FPM	12	3.9 GPH																
E2-G15	5 Ton	10 Ton	1550 LBS	16"x20"x2" (8)	429 FPM	10	5 GPH	1545 LBS	25"x32"x12"	1080 FPM	20	6.5 GPH																
E3-G18	10 Ton	10 Ton	1885 LBS	20"x25"x2" (8)	348 FPM	14	7 GPH	1875 LBS	30"x36"x12"	1067 FPM	28	8.4 GPH																
E4-920	10 Ton	10 Ton	3000 LBS	16"x20"x2" (15)	572 FPM	24	12 GPH	2970 LBS	38"x43"x12"	1322 FPM	35	10.15 GPH																

© 2015 Carrier HVAC Products. All rights reserved. Carrier is a registered trademark of Carrier Corporation. Carrier is not responsible for errors or omissions. Dimensions are nominal. Always refer to the unit manual for the most current information.