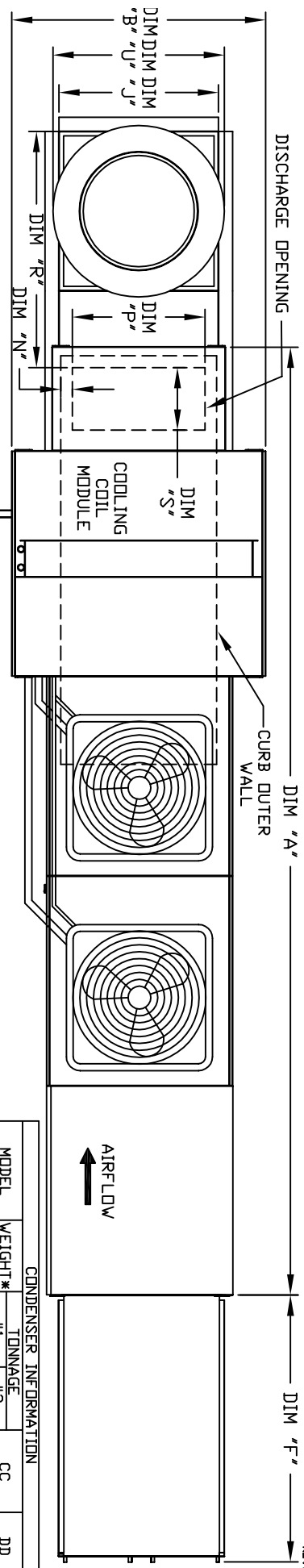


MODULAR OUTDOOR DOWN DISCHARGE ELECTRIC HEATER-ROOF TOP PACKAGE WITH COOLING, V-BANK AND INTAKE HOOD

11V-BE854ACCPART-AP  
REV. #7 06/15/2015



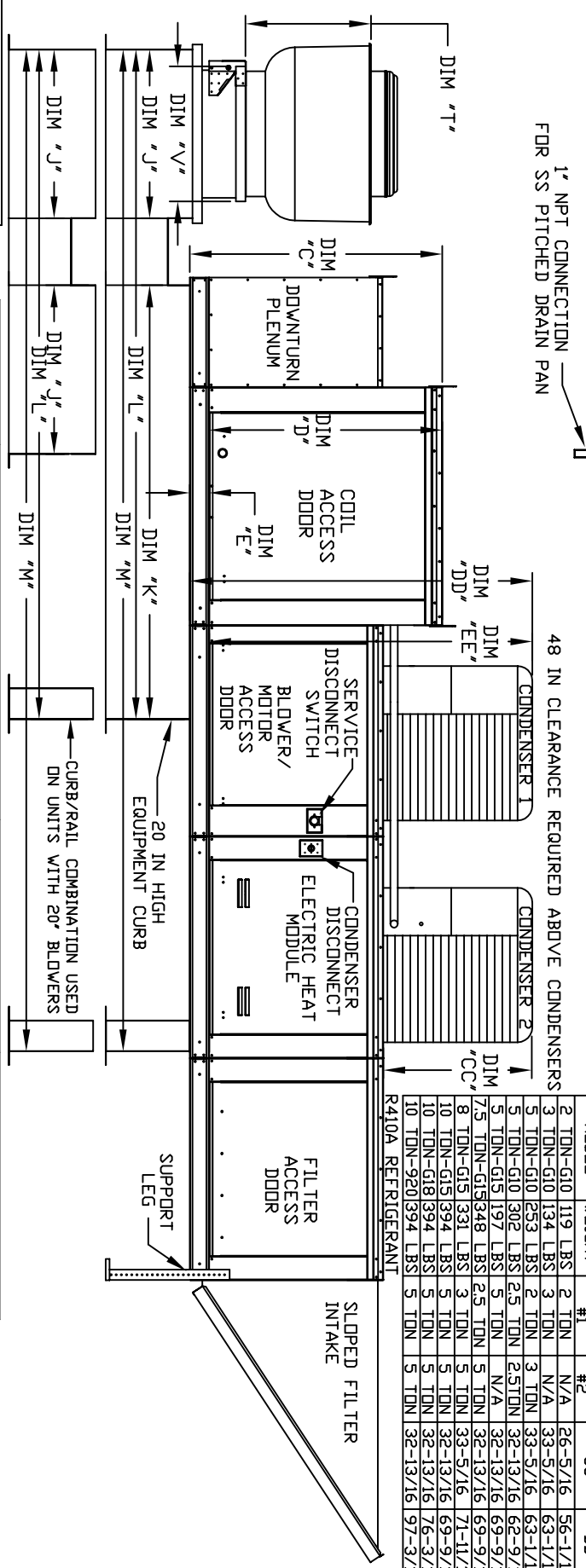
1' NPT CONNECTION FOR SS PITCHED DRAIN PAN

48 IN CLEARANCE REQUIRED ABOVE CONDENSERS

CONDENSER INFORMATION

MODEL	WEIGHT*	TONNAGE		CC	DD	EE
		#1	#2			
2 TON-G10	119 LBS	2 TON	N/A	26-5/16	56-1/16	52-3/8
3 TON-G10	134 LBS	3 TON	N/A	33-5/16	63-1/16	59-3/8
5 TON-G10	253 LBS	3 TON	3 TON	33-5/16	63-1/16	59-3/8
5 TON-G10	302 LBS	2.5 TON	2.5 TON	32-13/16	62-9/16	58-7/8
5 TON-G15	197 LBS	5 TON	N/A	32-13/16	69-9/16	65-7/8
7.5 TON-G15	348 LBS	2.5 TON	5 TON	32-13/16	69-9/16	65-7/8
8 TON-G15	331 LBS	3 TON	5 TON	33-5/16	71-11/16	68
10 TON-G15	394 LBS	5 TON	5 TON	32-13/16	69-9/16	65-7/8
10 TON-G18	394 LBS	5 TON	5 TON	32-13/16	76-3/16	70-7/8
10 TON-920	394 LBS	5 TON	5 TON	32-13/16	97-3/16	91-15/16

\*9 INCH HIGH EXHAUST ADAPTER MAY BE REQUIRED



20 IN HIGH EQUIPMENT CURB

CURB/RAIL COMBINATION USED ON UNITS WITH 20" BLOWERS

UNIT DIMENSIONS

MODEL	WEIGHT	A	B	C	D	E	F	J	K	L	M	N	P	R	S
EL-G10	1080 LBS	167-1/4	39-3/8	42-3/4	39	3-3/4	44-3/8	21	71	106	166-5/8	3-9/16	13-7/8	36-13/16	11-1/2
EL-G15	1485 LBS	181-1/4	49-3/8	47-3/4	44	3-3/4	53-3/8	31	79	124	190-5/8	4-5/16	22-3/8	46-9/16	18
E3-G18	1785 LBS	192-1/4	54-3/8	56-3/8	51-1/8	5-1/4	51-5/8	35	84	133	199-5/8	6-5/16	22-3/8	49-1/2	18
E4-920	2860 LBS	238-9/16	60-7/16	64-3/8	59-1/8	5-1/4	56-3/8	42	115-3/16	171-3/16	255-7/8	5-1/4	31-1/2	56-13/16	23-1/2

UNIT INFORMATION

MODEL	TONNAGE RANGE	FILTER SIZE & QTY	MAX. FILTER VELOCITY
EL-G10	2 Ton	20"x25"x2" (3)	8360 CFM = 418 FPM
EL-G15	5 Ton	16"x20"x2" (8)	8650 CFM = 464 FPM
E3-G18	10 Ton	20"x25"x2" (8)	8800 CFM = 348 FPM
E4-920	10 Ton	16"x20"x2" (5)	81300 CFM = 495 FPM

\*ADD CONDENSING UNIT WEIGHT TO WEIGHT IN TABLE ABOVE

ALL DIMENSIONS ARE NOMINAL AND GIVEN IN INCHES.

MAV PART NUMBER 72 0041170 TITANIUM DIRECT DRIVE MOTOR

MODEL #	T	U	V	W
BU12	14-1/2	22	19	
BU11				19
BU13	18-1/2	27-1/4	21	
BU10				21
BU13				21
BU15	21-1/2	30-1/4	21	
BU15				21
BU17	23	33-3/4	24-3/4	
BU18				28
BU18	23-1/2	39-3/8	28	
BU20	29-1/2	38-7/8	28	
BU24	30-5/8	43-3/8	33	
BU20	33-1/2	52-3/4	40	

EXHAUST UNIT DIMENSIONS