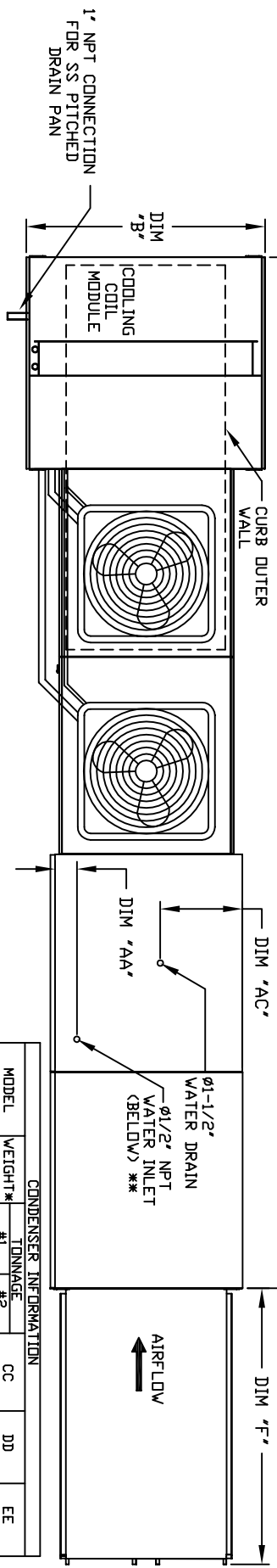


MODULAR OUTDOOR SIDE DISCHARGE ELECTRIC HEATER PACKAGED UNIT WITH COOLING, LPD EVAPORATIVE COOLER INTAKE, V-BANK AND INTAKE HOOD



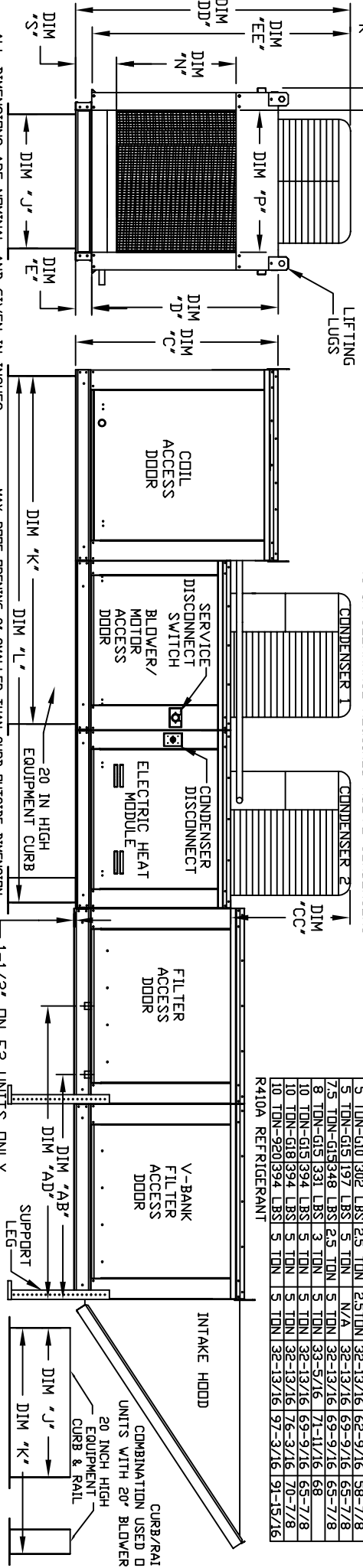
JHWBUPCDSH4CC-HPU
REV#2 06/15/2015

CONDENSER INFORMATION

MODEL	WEIGHT*	#1 TONNAGE	#2 TONNAGE	CC	DD	EE
2 TON-G10	119 LBS	2 TON	N/A	26-5/16	56-1/16	52-3/8
3 TON-G10	134 LBS	3 TON	N/A	33-5/16	63-1/16	59-3/8
5 TON-G10	253 LBS	2 TON	3 TON	33-5/16	63-1/16	59-3/8
5 TON-G10	302 LBS	2.5 TON	2.5 TON	32-13/16	62-9/16	58-7/8
5 TON-G10	197 LBS	5 TON	N/A	32-13/16	69-9/16	65-7/8
7.5 TON-G15	348 LBS	2.5 TON	5 TON	32-13/16	69-9/16	65-7/8
8 TON-G15	331 LBS	3 TON	5 TON	33-5/16	71-11/16	68
10 TON-G15	394 LBS	5 TON	5 TON	32-13/16	69-9/16	65-7/8
10 TON-G18	394 LBS	5 TON	5 TON	32-13/16	76-3/16	70-7/8
10 TON-G20	394 LBS	5 TON	5 TON	32-13/16	97-3/16	91-15/16

R410A REFRIGERANT

48 IN CLEARANCE REQUIRED ABOVE CONDENSERS



MAX. ROOF OPENING 2\"/>

ALL DIMENSIONS ARE NOMINAL AND GIVEN IN INCHES.

MODEL	A	B	C	D	E	F	J	K	L	M	N	P	R	S	AA	AB	AC	AD
E1-G10	181-1/8	39-3/8	42-3/4	39	3-3/4	53-5/8	21	71	113-1/4	17-1/2	16	11	5-3/4	4-1/2	238-1/2	18	48-1/4	15-x20-x2
E2-G15	201-1/8	49-3/8	47-3/4	44	3-3/4	51-5/8	31	79	121-1/4	29-3/4	22-3/4	12-5/8	5-3/4	4-1/2	244	20	57-1/4	20-x25-x2 (8)
E3-G18	200-3/8	54-3/8	56-3/8	51-1/8	5-1/4	78-3/8	35	84	126-1/4	29-5/8	30	11-1/2	7-3/8	4-1/2	241-1/8	23-1/2	152-7/8	16-x20-x2 (15)
E4-920	243-9/16	60-7/16	64-3/8	59-1/8	5-1/4	71-3/8	42	115-3/16	169-1/2	36-3/4	34	12-1/2	7-3/8	4-1/2	241-1/8	28-1/8	152-7/8	20-x25-x2 (12)

UNIT INFORMATION

MODEL	TONNAGE RANGE		CELDK EVAPORATIVE COOLING UNIT	
	MIN	MAX	TOT. WEIGHT MEDIA SIZE & QTY	NOZZLES/ MAX FLOW RATE
E1-G10	2 Ton	5 Ton	1235 LBS	25-x32-x12 20
E2-G15	5 Ton	10 Ton	1655 LBS	30-x36-x12 28
E3-G18	10 Ton	10 Ton	2135 LBS	38-x43-x12 35
E4-920	10 Ton	10 Ton	3110 LBS	45-x54-x12 42