

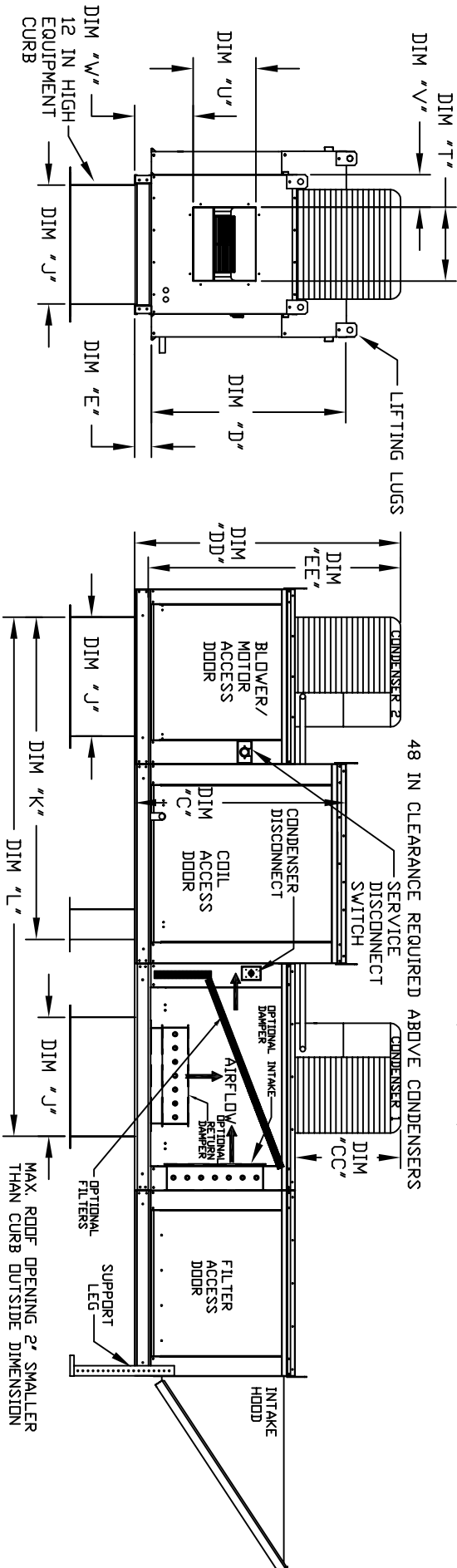
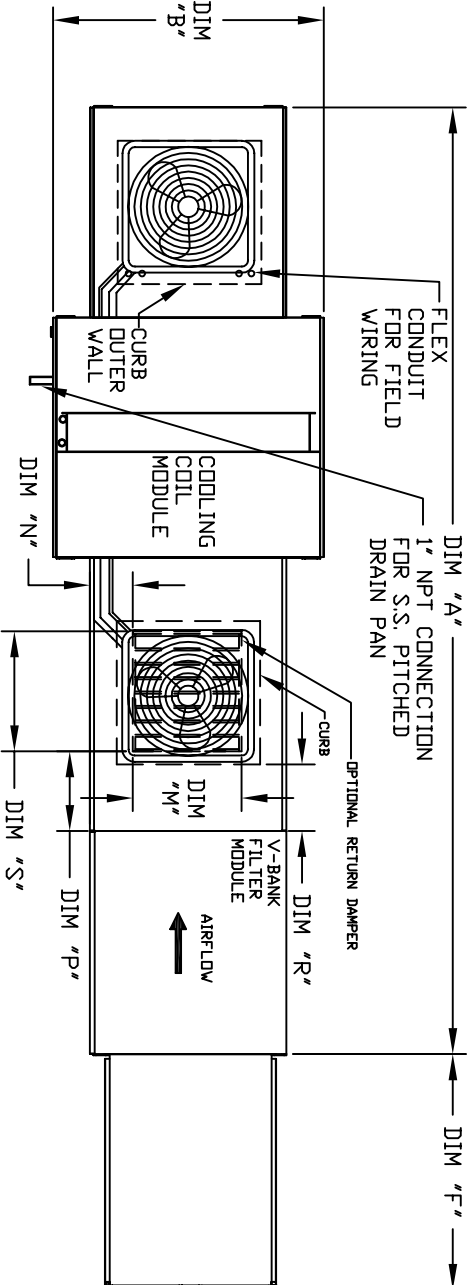
# OUTDOOR SIDE DISCHARGE MOD PACKAGE UNIT, V-BANK, INTAKE HOOD AND OPTIONAL MIXING BOX



## CONDENSER INFORMATION

MODEL	WEIGHT*	#1 TONNAGE	#2 TONNAGE	CC	DD	EE
2 TON-G10	119 LBS	2 TON	N/A	26-5/16	56-1/16	52-3/8
3 TON-G10	134 LBS	3 TON	N/A	33-5/16	63-1/16	59-3/8
5 TON-G10	253 LBS	2 TON	N/A	33-5/16	63-1/16	59-3/8
5 TON-G10	302 LBS	2.5 TON	2.5 TON	32-13/16	62-9/16	58-7/8
5 TON-G12	197 LBS	5 TON	N/A	32-13/16	69-9/16	65-7/8
7.5 TON-G12	348 LBS	2.5 TON	5 TON	32-13/16	69-9/16	65-7/8
10 TON-G12	394 LBS	5 TON	N/A	32-13/16	69-9/16	65-7/8
5 TON-G15	197 LBS	5 TON	N/A	32-13/16	69-9/16	65-7/8
7.5 TON-G15	302 LBS	2.5 TON	5 TON	32-13/16	69-9/16	65-7/8
10 TON-G15	394 LBS	5 TON	5 TON	32-13/16	69-9/16	65-7/8
8 TON-G15	331 LBS	3 TON	5 TON	33-5/16	71-11/16	68
10 TON-G18	394 LBS	5 TON	5 TON	32-13/16	69-9/16	65-7/8
10 TON-G20	394 LBS	5 TON	5 TON	32-13/16	97-3/16	91-15/16

\*1410A REFRIGERANT



ALL DIMENSIONS ARE NOMINAL AND GIVEN IN INCHES.

MODEL	WEIGHT*	UNIT DIMENSIONS										RETURN OPENING										DISCHARGE OPENING										TONNAGE RANGE	
		A	B	C	D	E	F	J	K	L	M	N	P	R	S	T	U	V	W	V	MIN	MAX											
G10	855 LBS	148-7/8	39-3/8	42-3/4	39	3-3/4	44-3/8	21	65-13/16	98-5/8	14	8	14	12-1/2	18	13-1/4	11-1/2	6-3/8	11-7/8	2	5												
G12	1195 LBS	156-7/8	49-3/8	47-3/4	44	3-3/4	53-5/8	31	74-5/8	112-5/8	22-3/4	8	11	7-1/2	24	15-3/4	13-9/16	10-1/8	13-1/16	5	10												
G15	1205 LBS	156-7/8	49-3/8	47-3/4	44	3-3/4	53-5/8	31	74-5/8	112-5/8	22-3/4	8	11	7-1/2	24	15-3/4	13-9/16	10-1/8	13-1/16	5	10												
G18	1475 LBS	167-7/8	54-3/8	56-3/8	51-1/8	5-1/4	51-5/8	35	79-3/16	120-1/8	28	8	7	4-1/2	30	22	19	17-7/8	10	10	10												
920	2435 LBS	208-3/16	60-7/16	64-3/8	59-1/8	5-1/4	76-3/8	42	104-9/32	153-15/16	33	10	11	8	36	24-7/8	24-7/8	11-1/16	19-1/8	10	10												

## UNIT INFORMATION

## \*ADD CONDENSING UNIT WEIGHT TO WEIGHT IN TABLE ABOVE

MODEL	FILTER SIZE & QTY	MAX. FILTER VELOCITY	OPTIONAL MIXING BOX FILTERS
G10	20"x25"x2" (3)	@3500 CFM = 406 FPM	10"x16"x2" (3)
G12	16"x20"x2" (8)	@5000 CFM = 358 FPM	20"x25"x2" (2), 16"x25"x2" (1)
G15	16"x20"x2" (8)	@6000 CFM = 429 FPM	20"x25"x2" (2), 16"x25"x2" (1)
G18	20"x25"x2" (8)	@8000 CFM = 348 FPM	15"x20"x2" (4), 15"x15"x2" (2)
920	14"x20"x2" (15)	@1500 CFM = 572 FPM	18"x25"x2" (4), 14"x20"x2" (2)