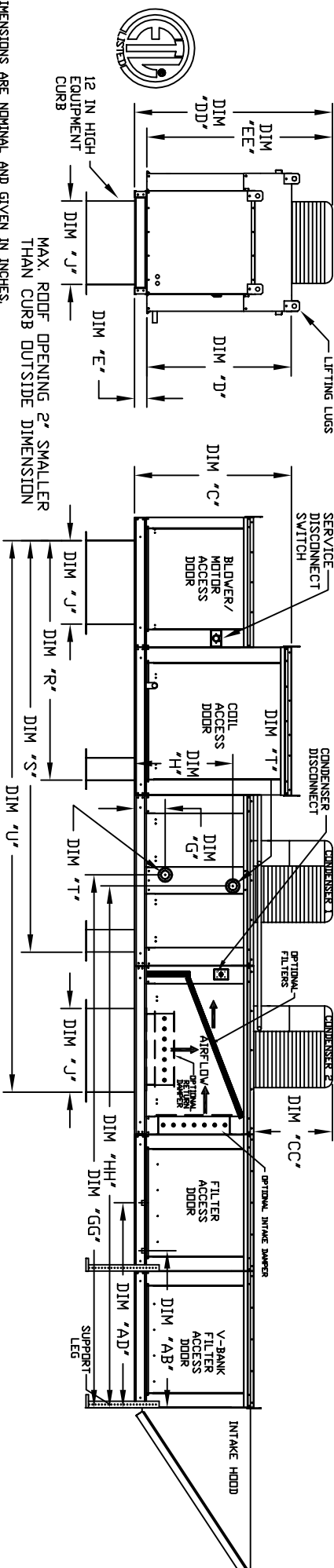
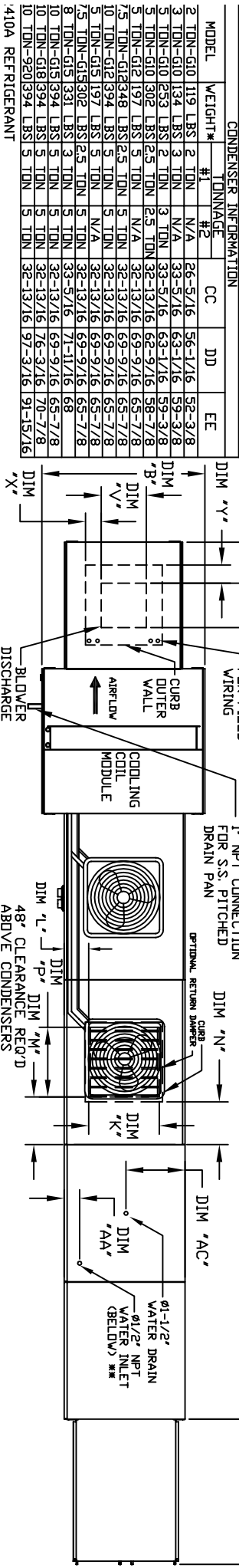


OUTSIDE DOWN DISCHARGE MOD PACKAGE UNIT, HEATING COIL, V-BANK FILTER, EVAPORATIVE COOLER INTAKE, INTAKE HOOD AND OPTIONAL MIXING BOX

HWBCHBCCM4-HPU
REV# 06/15/2015



ALL DIMENSIONS ARE NOMINAL AND GIVEN IN INCHES.

MODEL	UNIT DIMENSIONS											DISCHARGE OPENING											TONNAGE RANGE				WATER INLET DRAIN OPENING			
	A	B	C	D	E	F	J	K	L	M	N	P	R	S	U	V	V	X	Y	MIN	MAX	AA	AB	AC	AD					
G10	223-3/8	39-3/8	42-3/4	39	3-3/4	44-3/8	21	14	8	14	12-1/2	18	65-13/16	107-15/16	140-7/8	13-1/4	11-1/2	3-7/8	1-3/4	2 Ton	5 Ton	4-1/2	38-1/2	13	48-1/4					
G12	231-3/8	49-3/8	47-3/4	44	3-3/4	53-5/8	31	22-3/4	8	11	7-1/2	24	74-5/8	116-3/4	154-7/8	15-3/4	13-9/16	7-5/8	1-15/16	3 Ton	10 Ton	4-1/2	38-1/2	18	48-1/4					
G15	231-3/8	49-3/8	47-3/4	44	3-3/4	53-5/8	31	22-3/4	8	11	7-1/2	24	74-5/8	116-3/4	154-7/8	15-3/4	13-9/16	7-5/8	1-15/16	3 Ton	10 Ton	4-1/2	38-1/2	18	48-1/4					
G18	248-3/8	54-3/8	56-3/8	51-1/8	5-1/4	51-5/8	35	28	8	7	4-1/2	30	79-3/16	121-5/16	162-3/8	22	22	19	6-1/2	5 Ton	10 Ton	4-1/2	44	20	57-1/4					
920	297-7/8	60-7/16	64-3/8	59-1/8	5-1/4	76-3/8	42	33	10	8	8	36	104-9/32	158-15/32	208	24-7/8	24-7/8	8-9/16	1-1/8	10 Ton	10 Ton	4-1/2	41-1/8	23-1/2	52-7/8					

MODEL	STANDARD EVAPORATIVE COOLING UNIT W/ V-BANK FILTER				STANDARD EVAPORATIVE COOLING UNIT W/ V-BANK FILTER				STANDARD EVAPORATIVE COOLING UNIT W/ V-BANK FILTER				STANDARD EVAPORATIVE COOLING UNIT W/ V-BANK FILTER			
	TOT. WEIGHT	HEATING MEDIA SIZE & QTY	MAX. CFM	FLOW RATE	TOT. WEIGHT	HEATING MEDIA SIZE & QTY	MAX. CFM	FLOW RATE	TOT. WEIGHT	HEATING MEDIA SIZE & QTY	MAX. CFM	FLOW RATE	TOT. WEIGHT	HEATING MEDIA SIZE & QTY	MAX. CFM	FLOW RATE
HOT WATER COIL MODULE	1145 LBS	20"x25"x2" (3)	406 FPM	6 GPH	1595 LBS	16"x20"x2" (8)	358 FPM	10 GPH	1605 LBS	16"x20"x2" (8)	429 FPM	10 GPH	1970 LBS	20"x25"x2" (4)	348 FPM	14 GPH
HOT WATER COIL MODULE	1145 LBS	20"x25"x2" (3)	406 FPM	6 GPH	1595 LBS	16"x20"x2" (8)	358 FPM	10 GPH	1605 LBS	16"x20"x2" (8)	429 FPM	10 GPH	1970 LBS	20"x25"x2" (4)	348 FPM	14 GPH
HOT WATER COIL MODULE	1145 LBS	20"x25"x2" (3)	406 FPM	6 GPH	1595 LBS	16"x20"x2" (8)	358 FPM	10 GPH	1605 LBS	16"x20"x2" (8)	429 FPM	10 GPH	1970 LBS	20"x25"x2" (4)	348 FPM	14 GPH
HOT WATER COIL MODULE	1145 LBS	20"x25"x2" (3)	406 FPM	6 GPH	1595 LBS	16"x20"x2" (8)	358 FPM	10 GPH	1605 LBS	16"x20"x2" (8)	429 FPM	10 GPH	1970 LBS	20"x25"x2" (4)	348 FPM	14 GPH