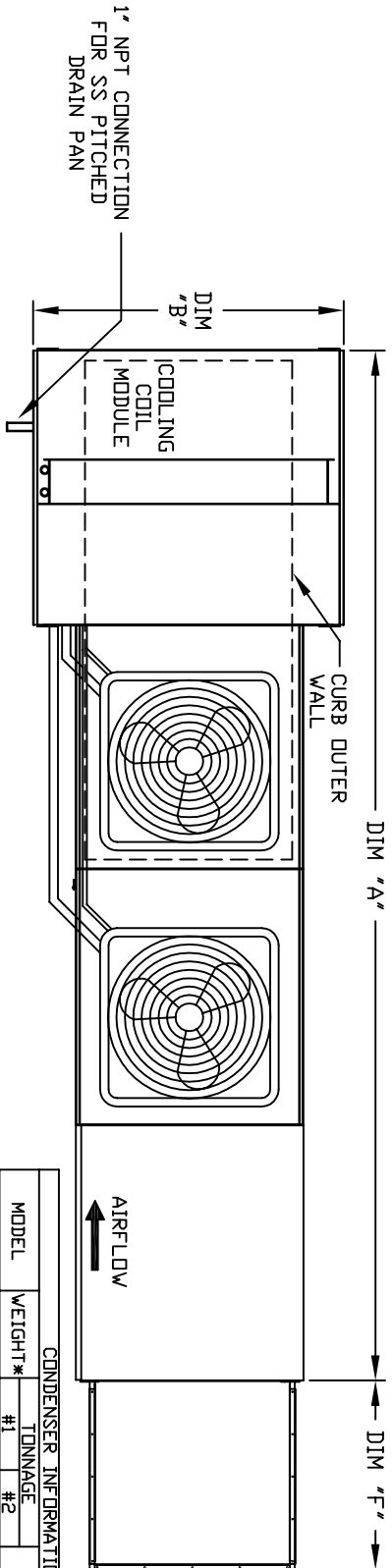


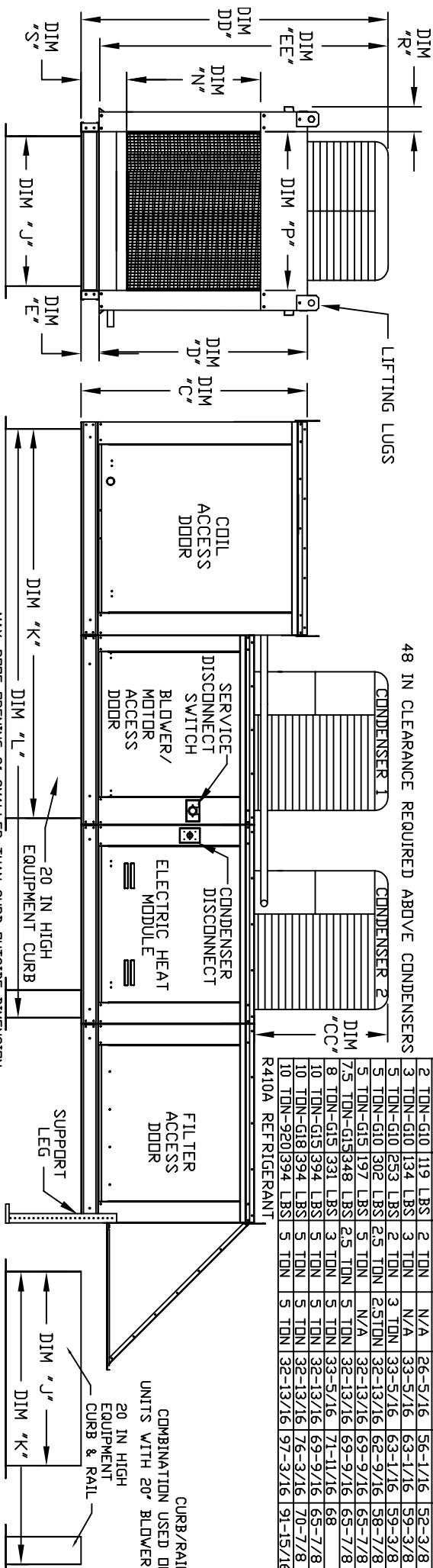
MODULAR OUTDOOR SIDE DISCHARGE ELECTRIC HEATER PACKAGED UNIT WITH COOLING, V-BANK AND SCREEN INTAKE

SY/BE/AC-19U
REV.#7 06/15/2015



48 IN CLEARANCE REQUIRED ABOVE CONDENSERS

| MODEL | WEIGHT* | #1 | #2 | CC | DD | EE |
|-------------|---------|---------|---------|----------|----------|----------|
| 2 TON-G10 | 119 LBS | 2 TON | N/A | 26-5/16 | 56-1/16 | 52-3/8 |
| 3 TON-G10 | 134 LBS | 3 TON | N/A | 33-5/16 | 63-1/16 | 59-3/8 |
| 5 TON-G10 | 253 LBS | 2 TON | 3 TON | 33-5/16 | 63-1/16 | 59-3/8 |
| 5 TON-G10 | 302 LBS | 2.5 TON | 2.5 TON | 32-13/16 | 62-9/16 | 58-7/8 |
| 5 TON-G15 | 197 LBS | 5 TON | N/A | 32-13/16 | 69-9/16 | 65-7/8 |
| 7.5 TON-G15 | 348 LBS | 2.5 TON | 5 TON | 32-13/16 | 69-9/16 | 65-7/8 |
| 8 TON-G15 | 331 LBS | 3 TON | 5 TON | 33-5/16 | 71-11/16 | 68 |
| 10 TON-G15 | 394 LBS | 5 TON | 5 TON | 32-13/16 | 69-9/16 | 65-7/8 |
| 10 TON-G18 | 394 LBS | 5 TON | 5 TON | 32-13/16 | 76-3/16 | 70-7/8 |
| 10 TON-920 | 394 LBS | 5 TON | 5 TON | 32-13/16 | 97-3/16 | 91-15/16 |



ALL DIMENSIONS ARE NOMINAL AND GIVEN IN INCHES.

MAX. ROOF OPENING 2" SMALLER THAN CURB OUTSIDE DIMENSION

| MODEL | WEIGHT | UNIT DIMENSIONS | | | | | | | | | | | CURB/RAIL | DISCHARGE OPENING | | | | |
|--------|----------|-----------------|---------|--------|--------|-------|---------|----|----------|---------|--------|--------|-----------|-------------------|---|---|---|---|
| | | A | B | C | D | E | F | G | H | I | J | K | | L | M | N | O | P |
| E1-G10 | 980 LBS | 148-7/8 | 39-3/8 | 42-3/4 | 39 | 3-3/4 | 22-3/8 | 21 | 71 | 113-1/4 | 17-1/2 | 16 | 11 | 5-3/4 | | | | |
| E2-G15 | 1340 LBS | 156-7/8 | 49-3/8 | 47-3/4 | 44 | 3-3/4 | 30-5/16 | 31 | 79 | 121-1/4 | 29-3/4 | 22-3/4 | 12-5/8 | 5-3/4 | | | | |
| E3-G18 | 1605 LBS | 167-7/8 | 54-3/8 | 56-3/8 | 51-1/8 | 5-1/4 | 34-3/16 | 35 | 84 | 126-1/4 | 29-5/8 | 30 | 11-1/2 | 7-3/8 | | | | |
| E4-920 | 2560 LBS | 208-3/16 | 60-7/16 | 64-3/8 | 59-1/8 | 5-1/4 | 47-1/4 | 42 | 115-3/16 | 169-1/2 | 36-3/4 | 34 | 12-1/2 | 7-3/8 | | | | |

UNIT INFORMATION:

| MODEL | TONNAGE RANGE | | FILTERS | |
|--------|---------------|--------|-------------------|----------------------|
| | MIN | MAX | FILTER SIZE & QTY | MAX. FILTER VELOCITY |
| E1-G10 | 2 Ton | 5 Ton | 20"x25"x2" (3) | @3600 CFM = 418 FPM |
| E2-G15 | 5 Ton | 10 Ton | 16"x20"x2" (8) | @6500 CFM = 464 FPM |
| E3-G18 | 10 Ton | 10 Ton | 20"x25"x2" (8) | @8000 CFM = 348 FPM |
| E4-920 | 10 Ton | 10 Ton | 16"x20"x2" (15) | @13000 CFM = 495 FPM |

*WITH STANDARD UNIT WEIGHT TO UNIT TO TABLE ABOVE