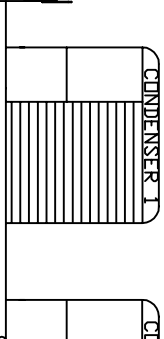
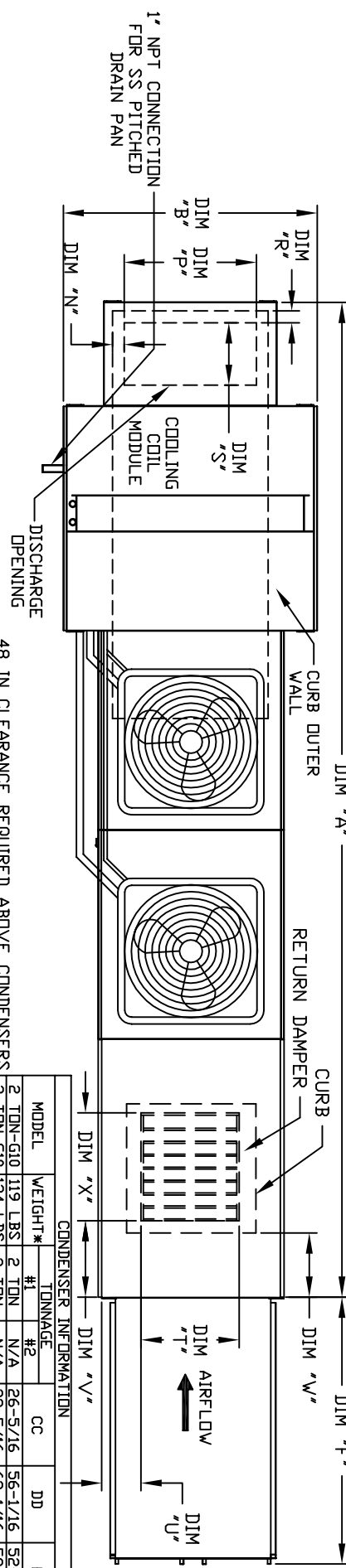


MODULAR OUTDOOR DOWN DISCHARGE ELECTRIC HEATER PACKAGED UNIT WITH COOLING, MIXING BOX AND INTAKE HOOD

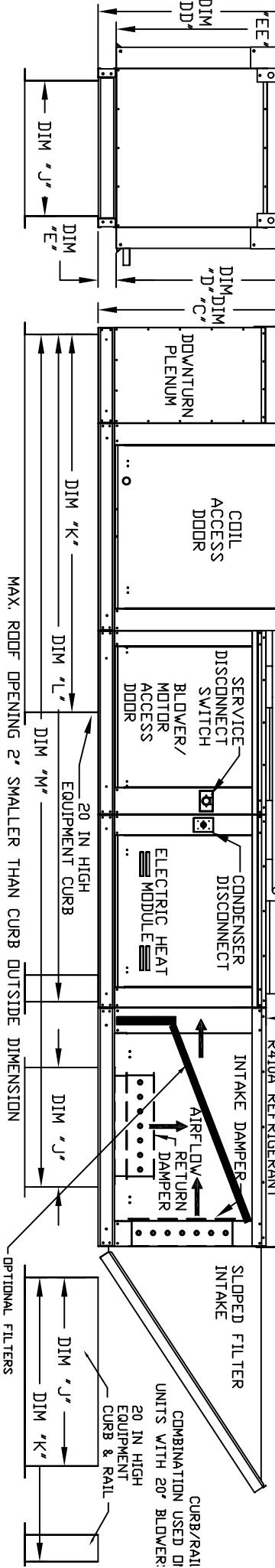
11HBSHACDP-HRU  
REV#9 06/15/2015



CONDENSER INFORMATION

MODEL	WEIGHT*	#1 TONNAGE	#2 TONNAGE	CC	DD	EE
2 TON-G10	119 LBS	2 TON	N/A	26-5/16	56-1/16	52-3/8
3 TON-G10	134 LBS	3 TON	N/A	33-5/16	63-1/16	59-3/8
5 TON-G10	253 LBS	2 TON	3 TON	33-5/16	63-1/16	59-3/8
5 TON-G10	302 LBS	2.5 TON	2.5 TON	32-13/16	62-9/16	58-7/8
7.5 TON-G15	197 LBS	5 TON	N/A	32-13/16	69-9/16	65-7/8
7.5 TON-G15	348 LBS	2.5 TON	5 TON	32-13/16	69-9/16	65-7/8
8 TON-G15	331 LBS	3 TON	5 TON	33-5/16	71-1/16	68
10 TON-G15	394 LBS	5 TON	5 TON	32-13/16	69-9/16	65-7/8
10 TON-G18	394 LBS	5 TON	5 TON	32-13/16	76-3/16	70-7/8
10 TON-G20	394 LBS	5 TON	5 TON	32-13/16	97-3/16	91-15/16

R410A REFRIGERANT



ALL DIMENSIONS ARE NOMINAL AND GIVEN IN INCHES.

UNIT DIMENSIONS

MODEL	WEIGHT	A	B	C	D	E	F	J	K	L	M	N	P	R	S	T	U	V	W	X
E1-G10	1140 LBS	177-1/4	39-3/8	42-3/4	39	3-3/4	44-3/8	21	71	131-5/8	163-1/16	3-9/16	13-7/8	1-13/16	11-1/2	14	8	14	12-1/2	18
E2-G15	1565 LBS	191-1/4	49-3/8	47-3/4	44	3-3/4	53-5/8	31	79	145-5/8	182-1/16	4-5/16	22-3/8	1-9/16	18	22-3/4	8	11	7-1/2	24
E3-G18	1300 LBS	196-1/4	54-3/8	56-3/8	51-1/8	5-1/4	51-5/8	35	84	150-5/8	190-1/16	6-5/16	22-3/8	1-1/2	18	28	8	7	4-1/2	30
E4-920	3100 LBS	257-1/2	60-7/16	64-3/8	59-1/8	5-1/4	76-3/8	42	115-3/16	199-7/8	247-13/16	5-1/4	31-1/2	1-13/16	23-1/2	33	10	11	8	36

UNIT INFORMATION:

MODEL	TONNAGE RANGE		FILTER SIZE & QTY	MAX. FILTER VELOCITY
	MIN	MAX		
E1-G10	2 Ton	5 Ton	16"x20"x2" (3)	@3600 CFM = 686 FPM
E2-G15	5 Ton	10 Ton	20"x25"x2" (3)	@6500 CFM = 754 FPM
E3-G18	10 Ton	10 Ton	16"x20"x2" (6)	@8000 CFM = 762 FPM
E4-920	10 Ton	10 Ton	16"x20"x2" (10)	@13000 CFM = 743 FPM

OPTIONAL MIXING BOX FILTERS

FILTER SIZE & QTY
10"x16"x2" (5)
20"x25"x2" (2), 16"x25"x2" (1)
15"x20"x2" (4), 15"x15"x2" (2)
18"x25"x2" (4), 16"x20"x2" (2)