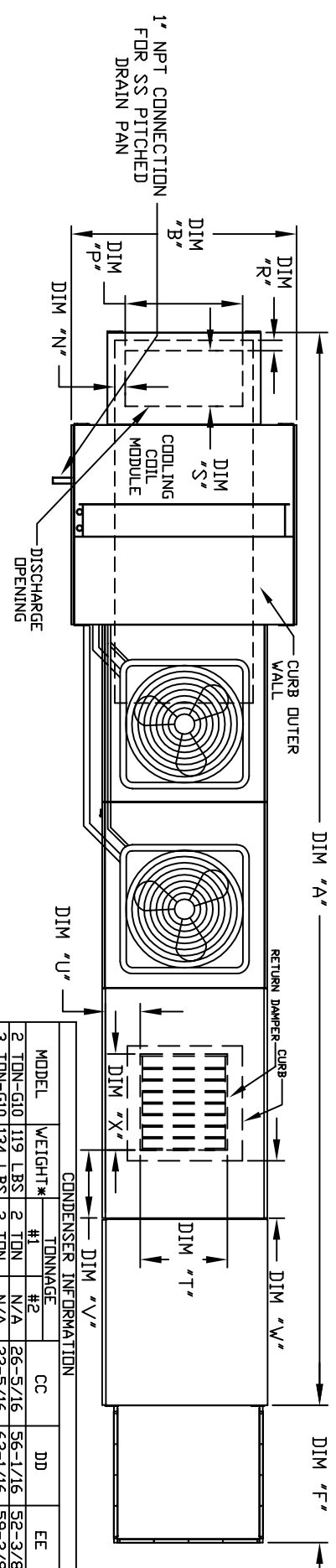


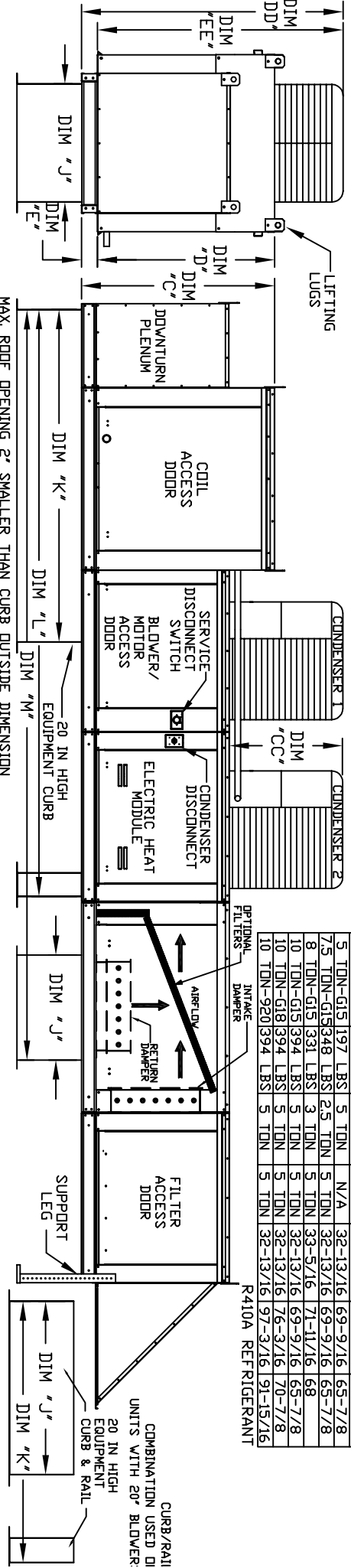
MODULAR OUTDOOR DOWN DISCHARGE HEATER PACKAGED UNIT WITH COOLING, V-BANK, MIXING BOX AND SCREEN INTAKE

SIV/BRHSACDDP-4PU
REV#2 06/15/2015



CONDENSER INFORMATION

MODEL	WEIGHT *	#1 TONNAGE	#2 TONNAGE	CC	DD	EE
2 TON-G10	119 LBS	2 TON	N/A	26-5/16	56-1/16	52-3/8
3 TON-G10	134 LBS	3 TON	N/A	33-5/16	63-1/16	59-3/8
4 TON-G10	153 LBS	4 TON	N/A	39-1/16	71-1/16	67-1/8
5 TON-G10	183 LBS	5 TON	3 TON	46-1/16	81-1/16	77-1/8
5 TON-G10	302 LBS	2.5 TON	2.5 TON	32-13/16	62-9/16	58-7/8
5 TON-G15	197 LBS	5 TON	N/A	32-13/16	69-9/16	65-7/8
7.5 TON-G15	328 LBS	2.5 TON	5 TON	32-13/16	69-9/16	65-7/8
8 TON-G15	331 LBS	3 TON	5 TON	33-5/16	71-11/16	68
10 TON-G15	394 LBS	5 TON	5 TON	32-13/16	69-9/16	65-7/8
10 TON-G18	394 LBS	5 TON	5 TON	32-13/16	76-3/16	70-7/8
10 TON-G20	394 LBS	5 TON	5 TON	32-13/16	97-3/16	91-15/16



UNIT DIMENSIONS

MODEL	WEIGHT	A	B	C	D	E	F	J	K	L	M	N	P	R	S	T	U	V	W	X
E1-G10	1215 LBS	209-1/2	39-3/8	42-3/4	39	3-3/4	22-3/8	21	71	131-5/8	163-1/16	6-1/8	13-7/8	3-1/4	11-1/2	14	8	14	12-1/2	18
E2-G15	1670 LBS	223-1/2	49-3/8	47-3/4	44	3-3/4	30-5/16	31	79	145-5/8	182-1/16	6-7/8	12-3/8	3	18	22-3/4	8	11	7-1/2	24
E3-G18	2025 LBS	234-1/2	54-3/8	56-3/8	51-1/8	5-1/4	34-3/16	35	84	150-5/8	190-1/16	8-7/8	12-3/8	3	18	22-3/4	8	7	4-1/2	30
E4-G20	3225 LBS	292-7/8	60-7/16	64-3/8	59-1/8	5-1/4	47-1/4	42	115-3/16	199-7/8	247-13/16	5-1/4	31-1/2	1-13/16	23-1/2	33	10	11	8	36

UNIT INFORMATION

MODEL	TONNAGE RANGE	FILTERS	MAX. FILTER VELOCITY	OPTIONAL MIXING BOX FILTERS
E1-G10	2 Ton	20"x25"x2" (3)	418 FPM	10"x16"x2" (5)
E2-G15	5 Ton	16"x20"x2" (8)	464 FPM	20"x25"x2" (2), 16"x25"x2" (1)
E3-G18	10 Ton	20"x25"x2" (8)	348 FPM	15"x20"x2" (4), 15"x15"x2" (2)
E4-G20	10 Ton	16"x20"x2" (15)	495 FPM	18"x25"x2" (4), 16"x20"x2" (2)

WARRANTY INFORMATION VISIT US AT WWW.SIVERR.COM